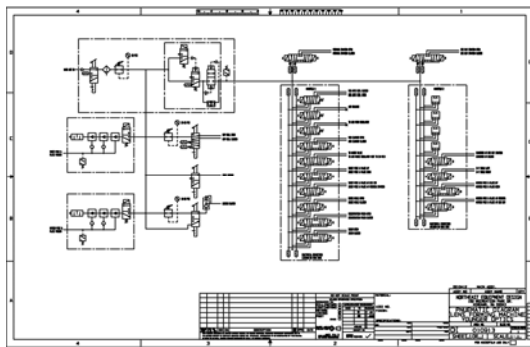
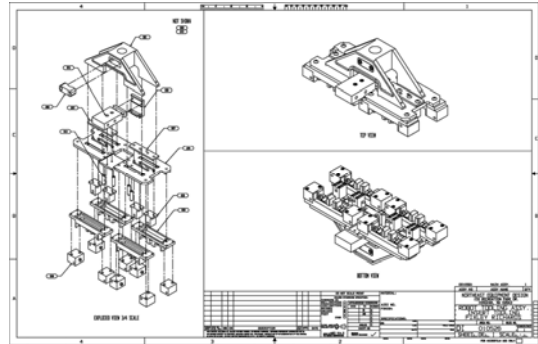


DTM Packaging Custom Automation Division - Engineering

Our Custom Automation Division has highly skilled mechanical and electrical engineers have a wide range of experience in specialty machines and control systems. They will lead you, the Customer, from concept, through all the engineering, build and debug stages to make your automation program a complete and successful turnkey operation.



The difficult and high-risk areas of the design are modeled or prototyped to assure success and steady progress in completing the task. Once a concept is clarified, an overall design layout is created. After design reviews, detailed drawings are produced for parts fabrication.

When assembly is complete, all aspects of machine operation and safety are tested and demonstrated for the customer before any equipment leaves our shop.

In addition to service, we also offer complete electrical and mechanical documentation including an operation and maintenance manual along with a recommended spare parts list.

